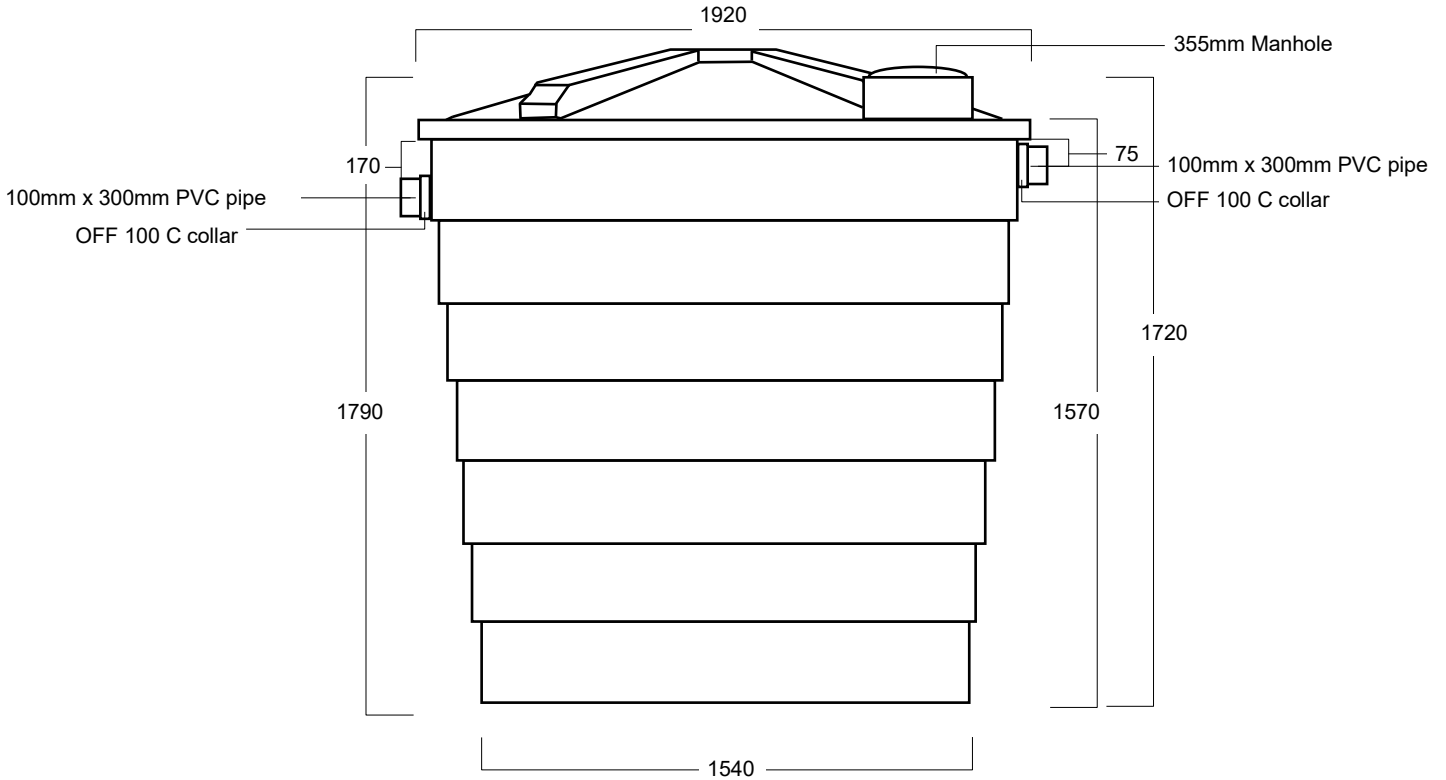
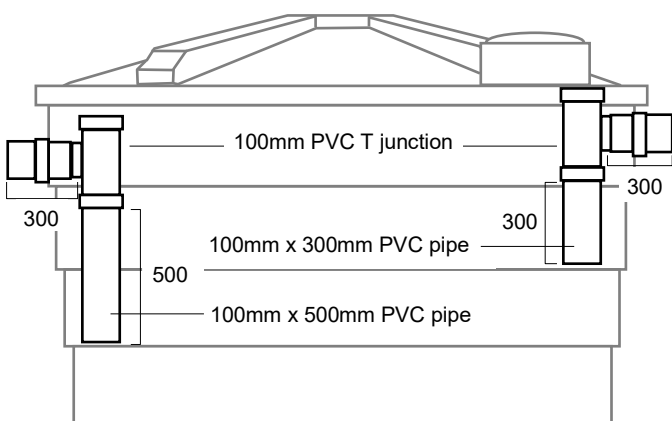


EXTERNAL VIEW

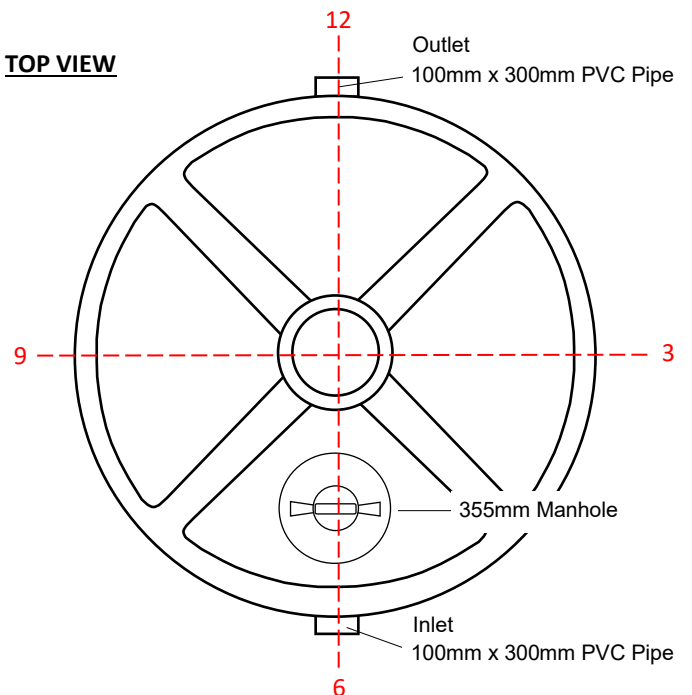


INTERNAL VIEW



*Inlet - 75mm under lip
*Outlet - 170mm under lip

TOP VIEW



Notes: