

## IN-GROUND SEPTIC TANKS

- ✓ Northern Territory Government Department of Health approved 3000L septic tank
- ✓ Product Approval Number 01/16
- ✓ Complies to AS/NZ 1546.1.2008 standard
- ✓ Quality tested for thickness and strength
- ✓ Environmentally safe - no risk of contamination to the environment
- ✓ Easy to service
- ✓ Stepped ribbed one piece design (no separate lid) for added strength and durability
- ✓ Anchor points to stop uplift
- ✓ Built tough to retain structural integrity
- ✓ Ready to install

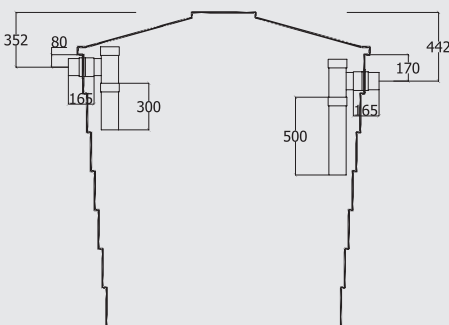


If you want a certified, approved and locally manufactured septic tank, give us a call today!

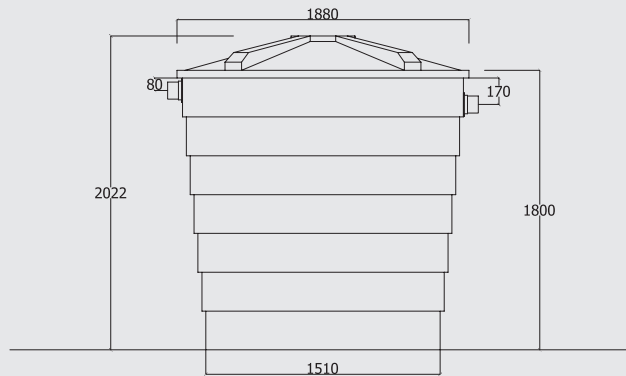
### STANDARD TECHNICAL SPECIFICATION

#### Product specifications:

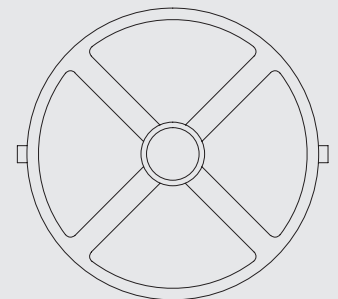
Weight: 150kg / Height: 1830mm / Diameter at top: 2000mm / Diameter at base: 1550mm



Section - Septic



Elevation - Septic



Plan - Septic

**MADE IN THE TERRITORY BEST PRODUCT BEST SERVICE**

For more information on our full product range, visit [www.terracorptanks.com.au](http://www.terracorptanks.com.au)

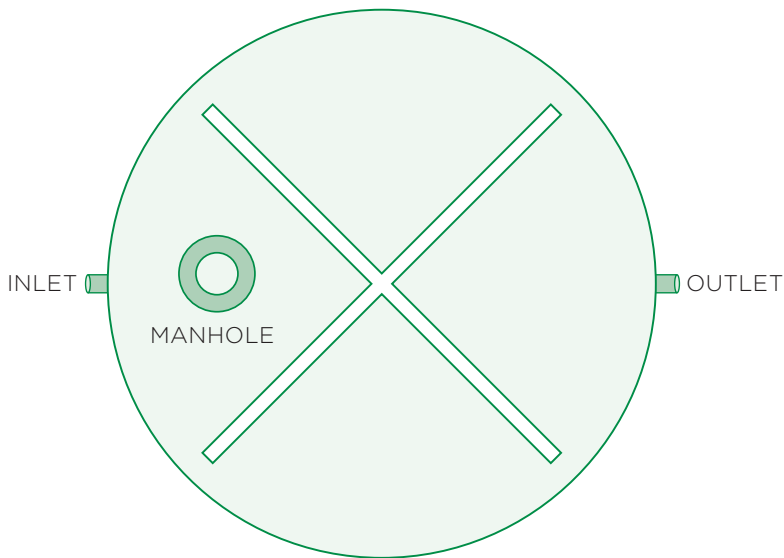
Visit us at: 9 Beresford Road, Yarrowonga, Palmerston NT 0830

Phone: (08) 8932 8222 Email: [info@terracorp.com.au](mailto:info@terracorp.com.au)

ABN 65 992 045 074

## IN-GROUND SEPTIC TANKS

TOP VIEW



### SEPTIC TANK SPECIFICATIONS

Your septic tank comes fitted with PVC “inlet” and “outlet” piping assemblies as standard.

- The “inlet” assembly is located on the tank wall directly beneath the inspection manhole opening. It is fitted with a 300 mm extension pipe.
- The “outlet” assembly is located on the tank wall on the opposite side to the inlet, and is slightly lower. It is fitted with a 500mm extension pipe.
- The extension pipes connected to the inlet and outlet “T” connections must point directly to the bottom of the tank.
- Tanks can be purchased without standard fittings.

SIDE VIEW

