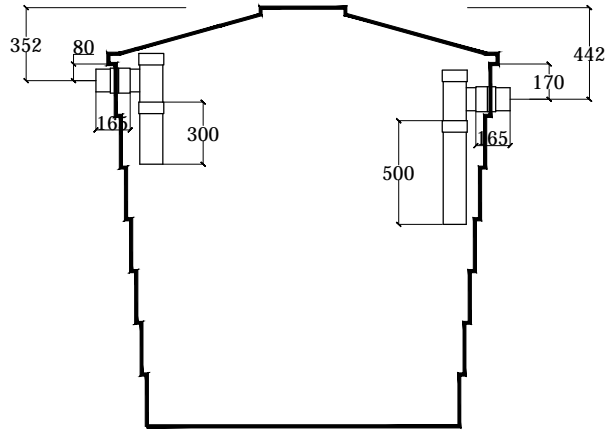
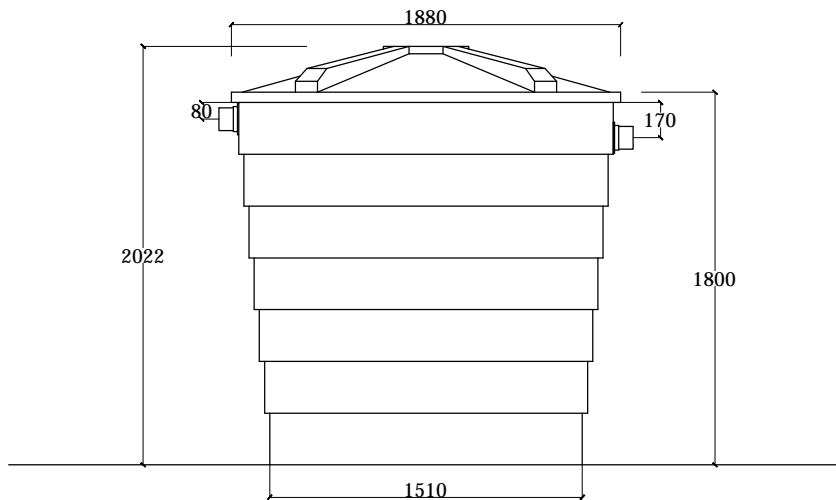


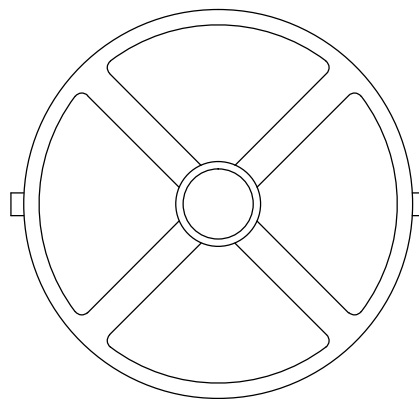
# SEPTIC TANK



Section - Septic



Elevation - Septic



Plan - Septic