

INSTALLATION INSTRUCTIONS AND PLUMBING GUIDELINES

Thank you for purchasing a quality Terracorp tank. In order to gain the maximum benefit from your purchase, we have outlined the following instructions for the installation and setup of your Terracorp tank.

Please read all these instructions carefully before installing your tank. Failure to follow these instructions will result in the voiding of the warranty.

Delivery

Delivery to site is subject to the terms and conditions of Terracorp and other carriers.

If no-one is available to sign for the delivery or if the road to the delivery point is unsuitable, the driver will decide to either deliver to the closest point achievable or return to the depot and the tank will be available for collection from the depot.

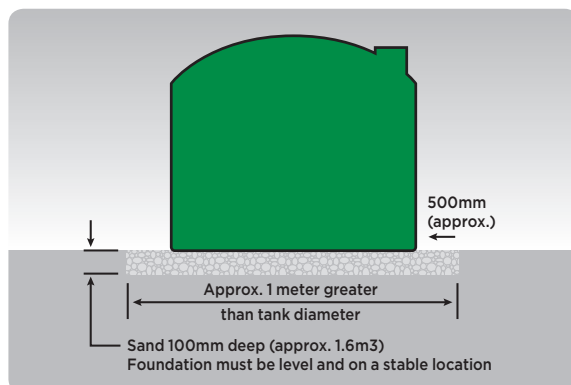
Installation is the risk and responsibility of the purchaser.

Foundation

A level, compacted earth foundation is required with 100mm deep sand, approximately 1 metre greater than the tank diameter and most importantly, free from any sharp objects or projections (see illustration).

When locating into a sloping site, extra care should be taken to prevent any erosion of the foundation. Although site preparation is minimal, we advise it to be done properly.

Foundation Detail



Overflow should be piped away from the foundation to avoid erosion.

When installing Terracorp tanks, choose a firm and level area and most importantly, free from any sharp projections. Elevated platforms must have floor with gaps no greater than 25mm and preferably would be solid.

It must be strong enough to withstand wind loads in conjunction with the weight of a full tank, which equates to approximately one kilogram per litre plus the tank weight.

When installing on a concrete slab, the thickness and dimensions of the slab must be appropriate for the size and weight of a full tank.

Care given to correct foundation and installation will greatly benefit the lifespan of the tank and your ongoing satisfaction of our product.

Terracorp tanks are only designed for above-ground installation and therefore must not be fully or partially buried.

- Do not install water tanks over buried pipes, cables or any other utility connections which may require servicing or maintenance.
- Do not install water tanks over underground structures such as cellars, septic tanks, sewage canals, etc.
- Do not install water tanks where they could pose a potential hazard to life or property.

Plumbing Guidelines

Because polyethylene water tanks expand when full, all plumbing to the tank **MUST** be flexible. All plumbing attached to the tank must be done properly with all connections free from stress. All drilling and plumbing should be completed prior to filling. Failure to follow these instructions voids all warranty.

Base Plumbing

One fitting is supplied from the factory for extra strength. You can determine position at the time of ordering.

The fitting is ready for use, and is raised to prevent sludge pick-up and to retain some water weight, an added benefit in making the tank more stable in exposed areas.

Care should be taken to support all pipe fittings independently to minimise stress on base plumbing.

It is not recommended to install fittings anywhere else in the tank wall as this will create a stressed point in the tank structure.

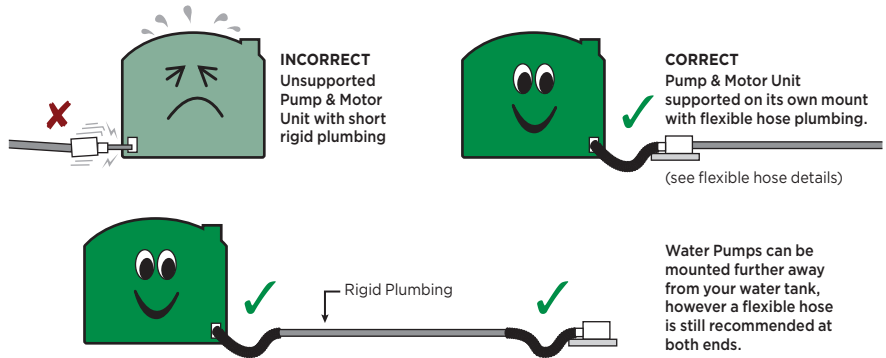
If an output fitting is required at a specific level, connect an internal vertical pipe to the desired level from a base mounted outlet, (see Restricted Height Outlet Detail and Flexible Hose Details).

Please use only appropriate fittings and make sure that all joints are well sealed and watertight with no light penetration.

All Chemical, Molasses and non-potable water storage tanks have a 3 year warranty.
All potable water storage tanks have a 10 year warranty. For more details, see our warranty form.

Water Pump Installation

DO NOT directly install water pumps to the side of your water tank. The water pump and its motor must be self-supported, on its own mount and connected to the tank via flexible hose to isolate any vibration or movement by the pumping unit itself. The tank outlet areas and their fittings must not be stressed by the weight of the water pump, motor or plumbing (see Water Pump Diagrams and Flexible Hose Diagrams).



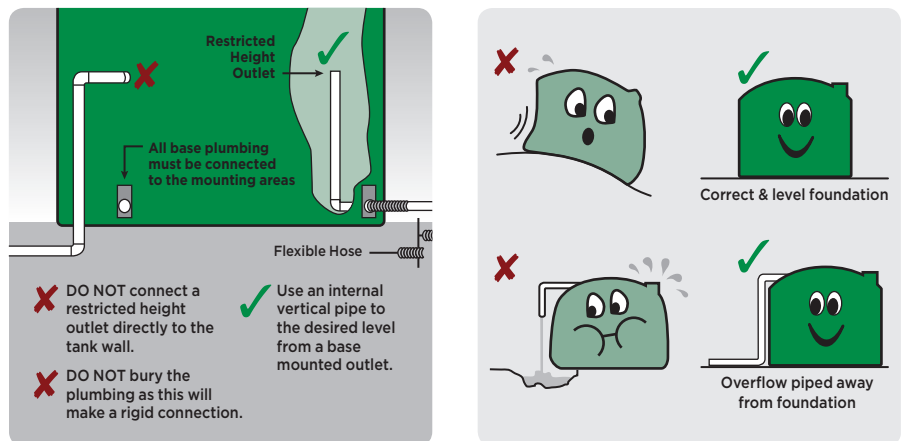
Adequate Ventilation

Remember when water pumps are used, allow more than adequate overflow and venting. Air and water must be able to enter or escape the tank at the same rate the water is coming in or out. Failure to follow this will void warranty. Use the top plumbing areas when attaching overflow or vent plumbing to your water tank.

Water Pump Installation and Location

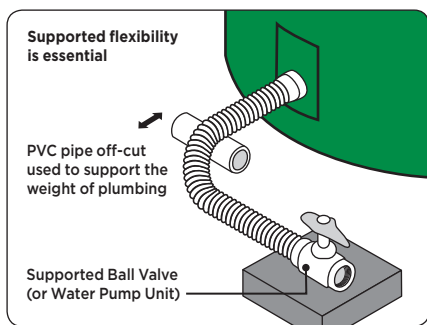
Flexible Hose Base Plumbing

SUPPORTED FLEXIBILITY IS ESSENTIAL on all base mounted plumbing. Because all polyethylene tanks expand when full, direct rigid plumbing connections to the base of your water tank are not suitable. A supported flexible hose between your water tank and rigid plumbing or pump is recommended.

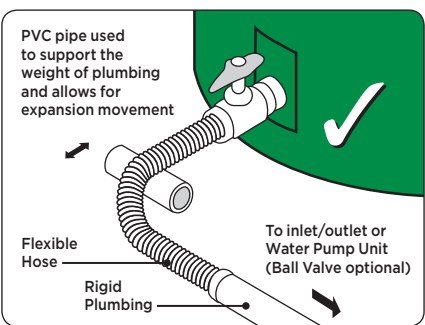


Restricted Height Outlet

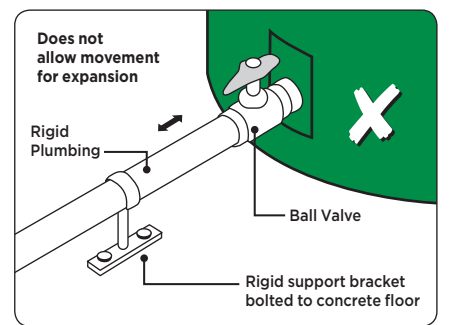
PLUMBING GUIDELINES



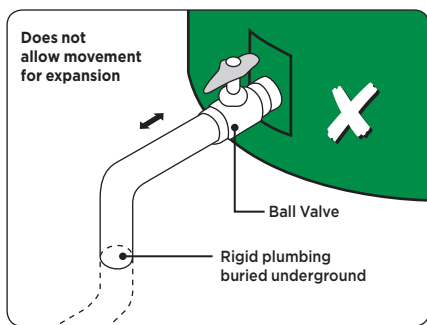
Flexible Hose to Ball Valve



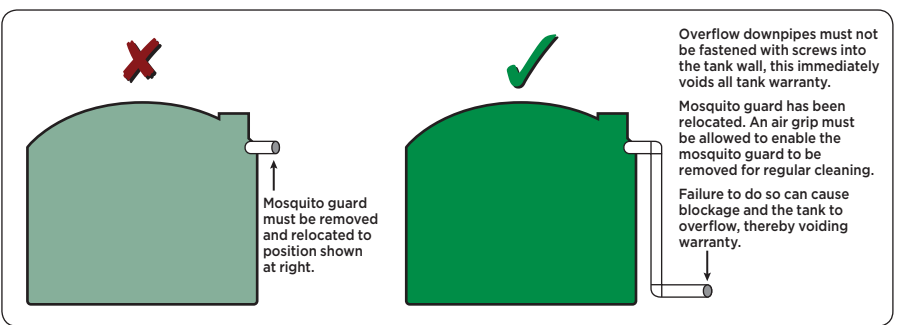
Directly mounted Ball Valve to Flexible Hose



Wrong Installation - Rigid Plumbing Voids Warranty



Wrong Installation - Buried Plumbing Voids Warranty



Mosquito Guard Voids Warranty

Overflow downpipes must not be fastened with screws into the tank wall, this immediately voids all tank warranty. Mosquito guard has been relocated. An air grip must be allowed to enable the mosquito guard to be removed for regular cleaning. Failure to do so can cause blockage and the tank to overflow, thereby voiding warranty.

Thank you for becoming our customer. Technical specifications, instructions and guidelines in this brochure are subject to change without prior notice. For any further technical support or more information on other Terracorp products, please contact us:

Visit us at: 9 Beresford Road, Yarrowonga, Palmerston NT 0830

Phone: 1300 784 489 Email: info@terracorp.com.au